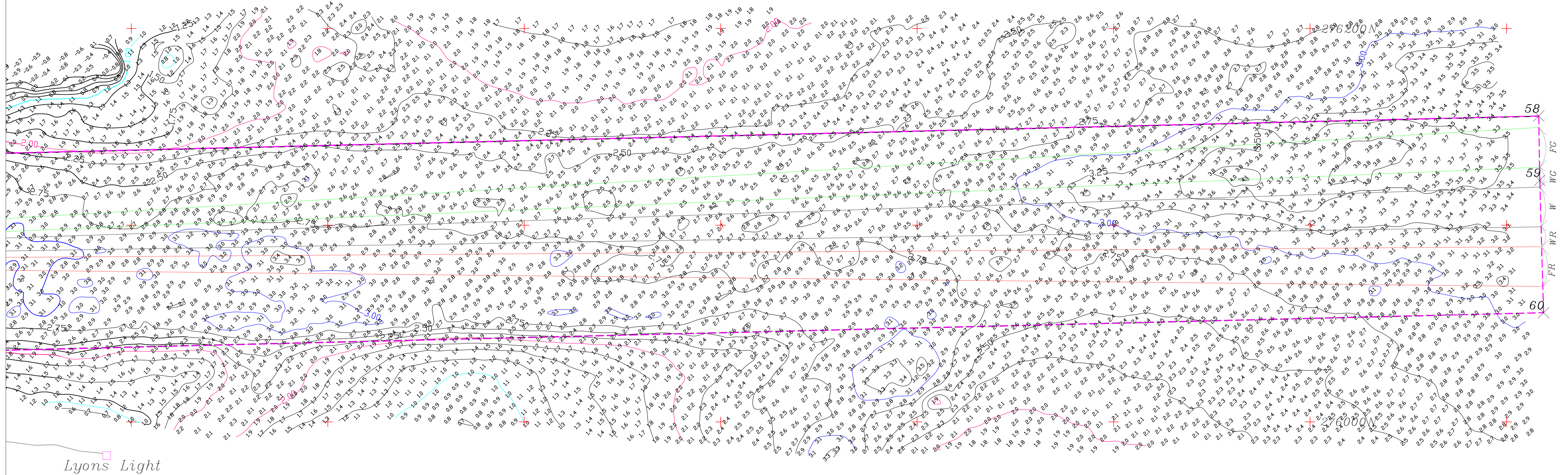


## Navigation Channel maintained to -2.2CD



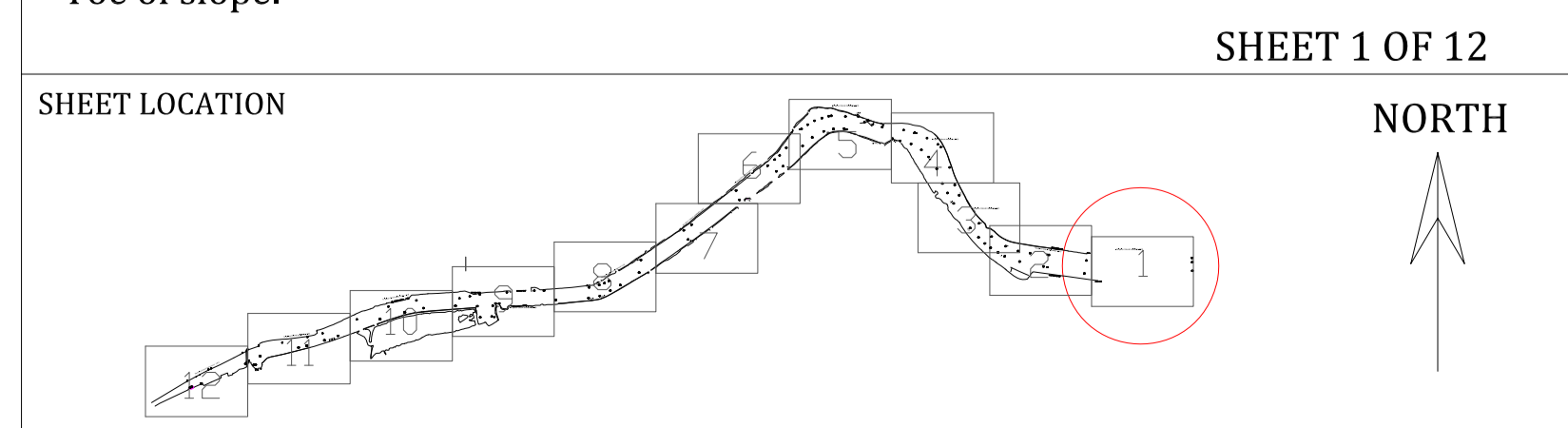
TITLE	Drawing No. PH19002Q_D01
RIVER BOYNE Dumping at Sea License Application 2021 - 2029	Project No. PH19002Q
	Survey Dates: 10th - 11th June 2019
	Scale: 1:1000 @ A1

CLIENT  
**Drogheda Port Company**

Surveyed by Hydrographic Surveys Ltd.  
The Cobbles, Crosshaven, Co. Cork Tel: 021 483 1184 E: info@hydrosurvey.com

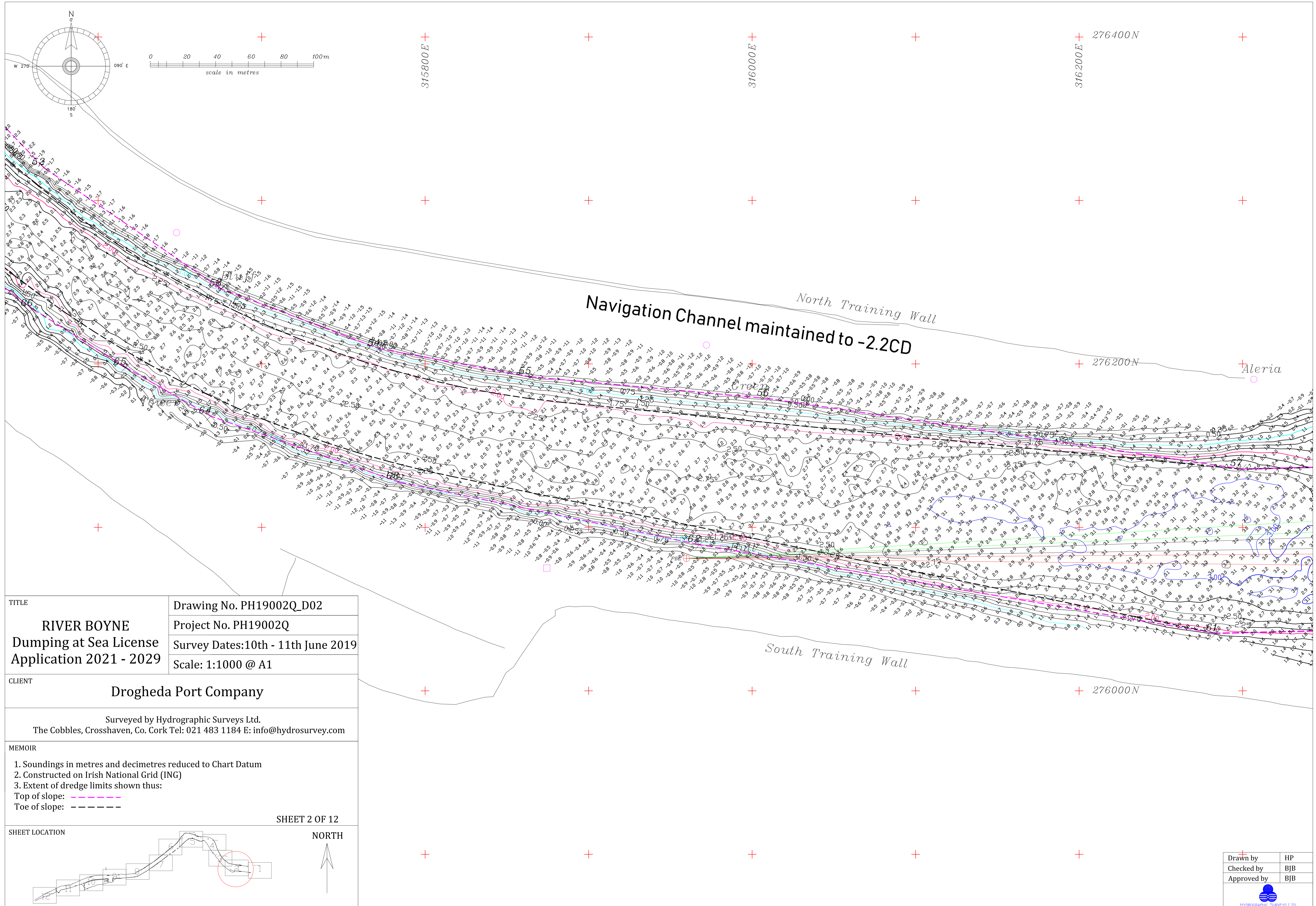
MEMOIR

- Soundings in metres and decimetres reduced to Chart Datum
- Constructed on Irish National Grid (ING)
- Extent of dredge limits shown thus:  
Top of slope: - - - - -  
Toe of slope: - - - - -



Drawn by	HP
Checked by	BJB
Approved by	BJB

HYDROGRAPHIC SURVEYS LTD.



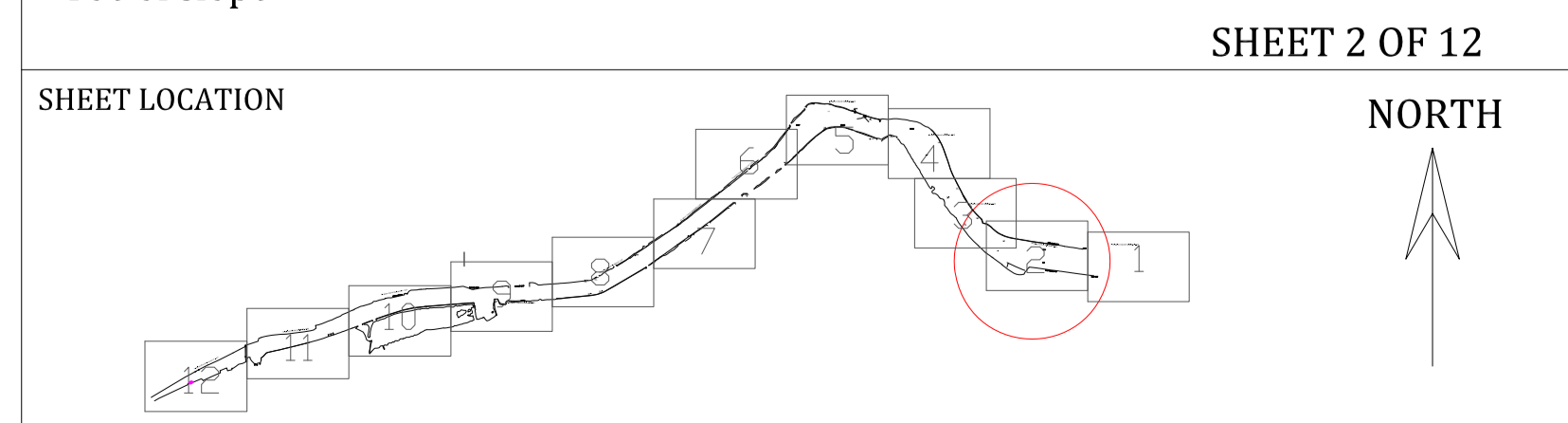
TITLE	Drawing No. PH19002Q_D02
RIVER BOYNE Dumping at Sea License Application 2021 - 2029	Project No. PH19002Q
	Survey Dates: 10th - 11th June 2019
	Scale: 1:1000 @ A1

CLIENT  
**Drogheda Port Company**

Surveyed by Hydrographic Surveys Ltd.  
The Cobbles, Crosshaven, Co. Cork Tel: 021 483 1184 E: info@hydrosurvey.com

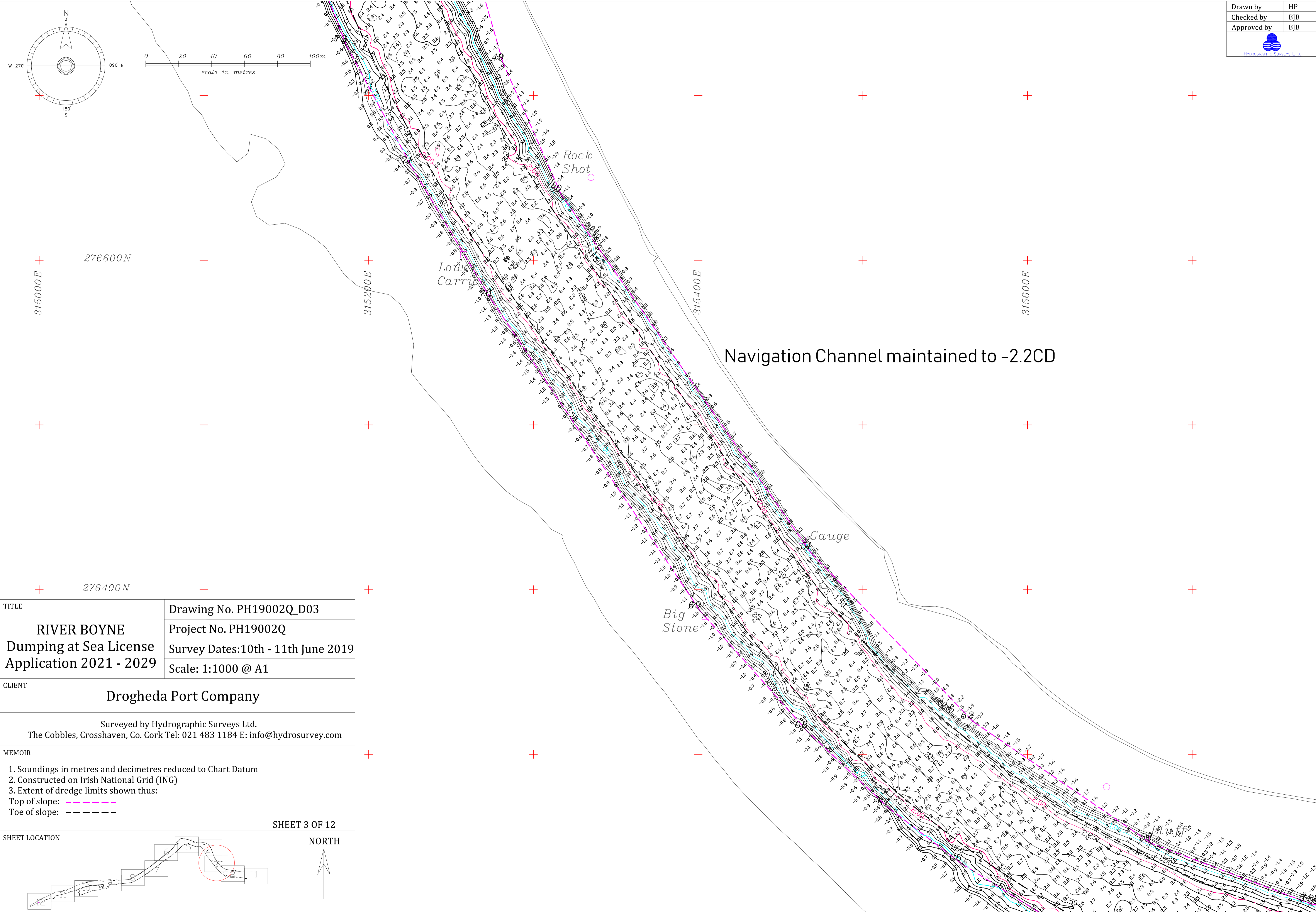
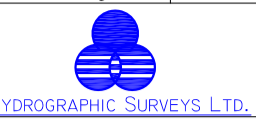
MEMOIR

1. Soundings in metres and decimetres reduced to Chart Datum
2. Constructed on Irish National Grid (ING)
3. Extent of dredge limits shown thus:  
 Top of slope: - - - - -  
 Toe of slope: - - - - -



Drawn by	HP
Checked by	BJB
Approved by	BJB

Drawn by	HP
Checked by	BJB
Approved by	BJB



Navigation Channel maintained to -2.2CD

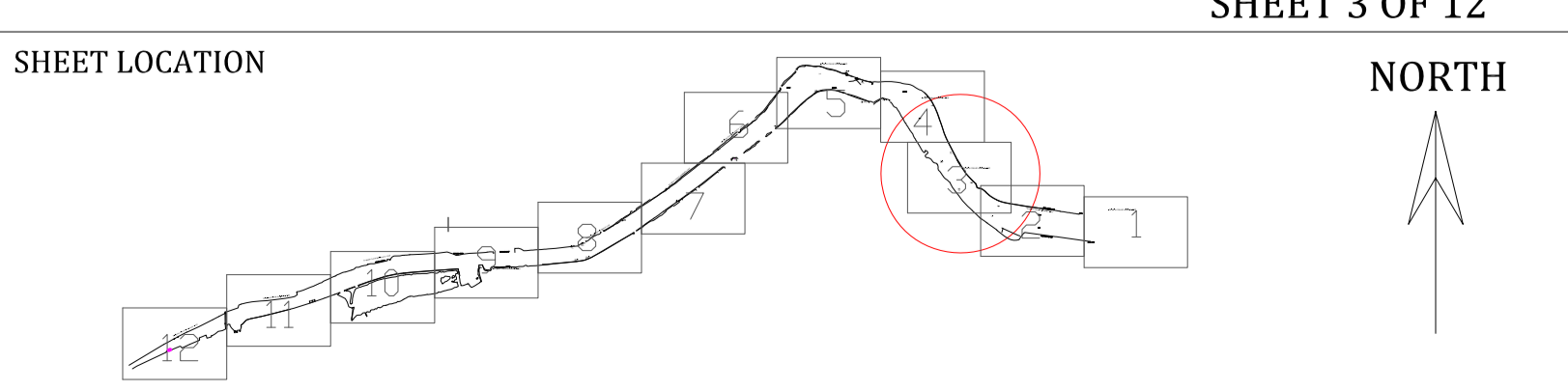
TITLE	Drawing No. PH19002Q_D03
	Project No. PH19002Q
	Survey Dates: 10th - 11th June 2019
	Scale: 1:1000 @ A1

CLIENT  
**Drogheda Port Company**

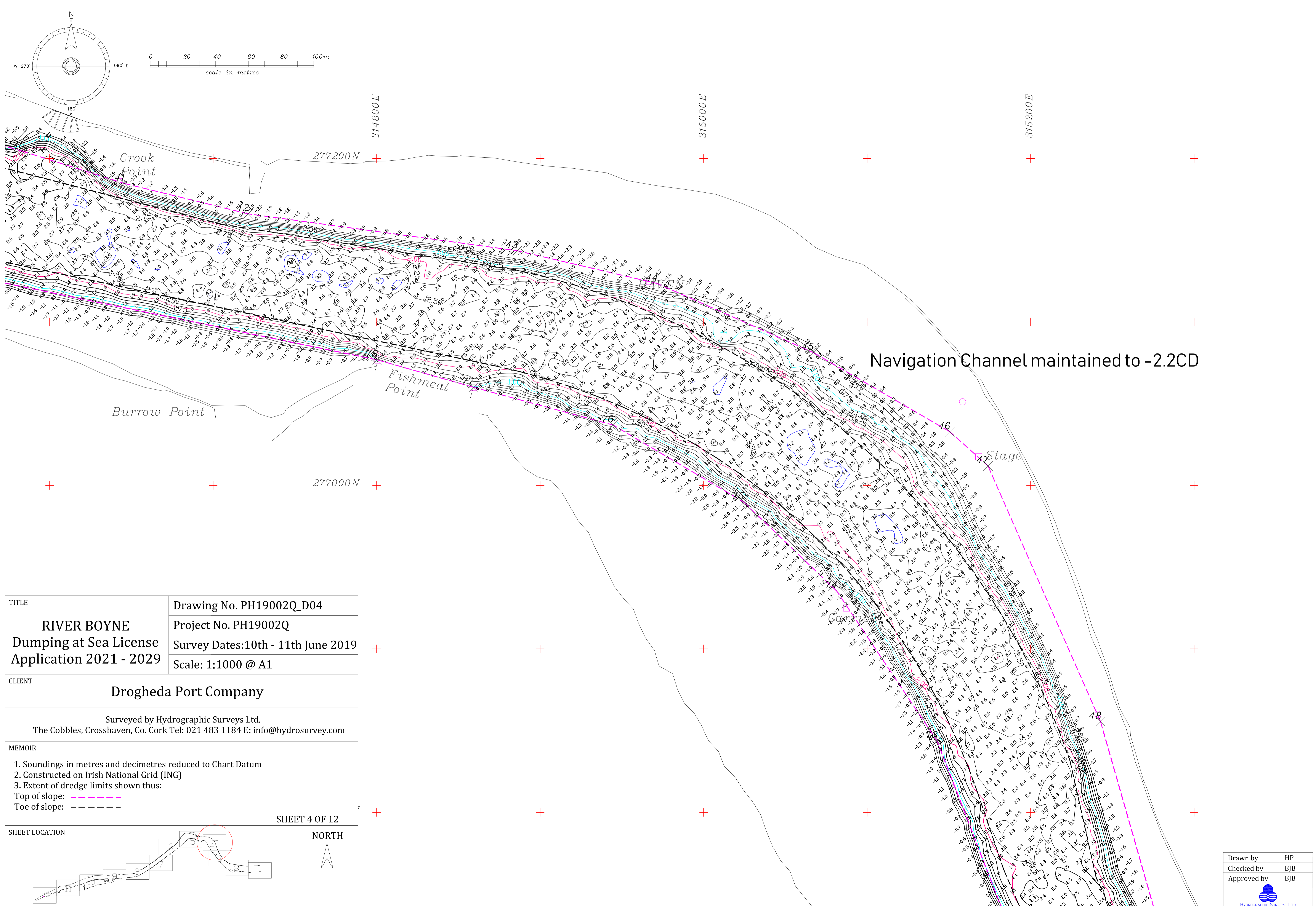
Surveyed by Hydrographic Surveys Ltd.  
The Cobbles, Crosshaven, Co. Cork Tel: 021 483 1184 E: info@hydrosurvey.com

MEMOIR

1. Soundings in metres and decimetres reduced to Chart Datum
2. Constructed on Irish National Grid (ING)
3. Extent of dredge limits shown thus:  
 Top of slope: - - - - -  
 Toe of slope: - - - - -



SHEET 3 OF 12



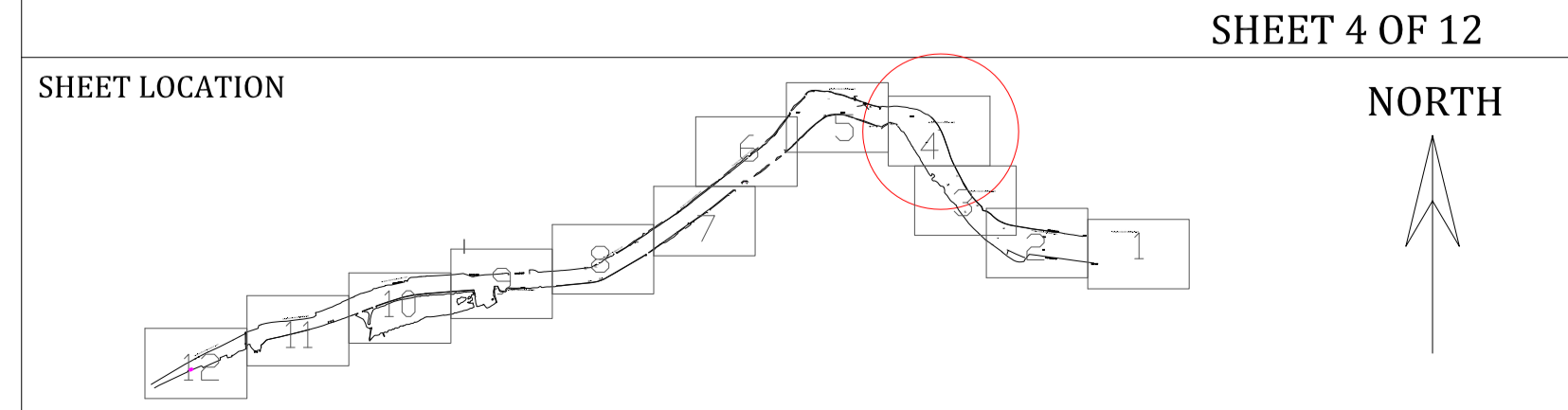
TITLE	Drawing No. PH19002Q_D04
RIVER BOYNE Dumping at Sea License Application 2021 - 2029	Project No. PH19002Q
	Survey Dates: 10th - 11th June 2019
	Scale: 1:1000 @ A1

CLIENT  
**Drogheda Port Company**

Surveyed by Hydrographic Surveys Ltd.  
The Cobbles, Crosshaven, Co. Cork Tel: 021 483 1184 E: info@hydrosurvey.com

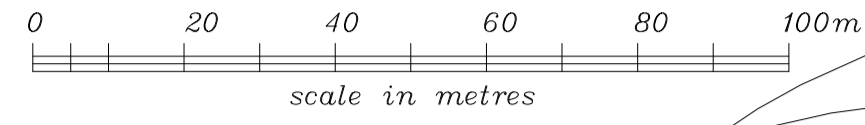
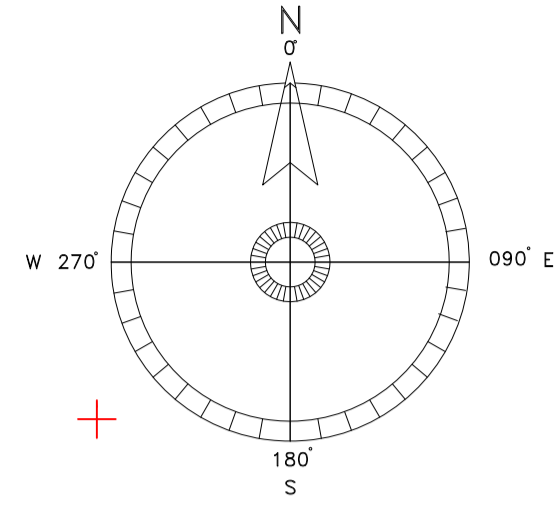
MEMOIR

1. Soundings in metres and decimetres reduced to Chart Datum
2. Constructed on Irish National Grid (ING)
3. Extent of dredge limits shown thus:  
 Top of slope: - - - - -  
 Toe of slope: - - - - -

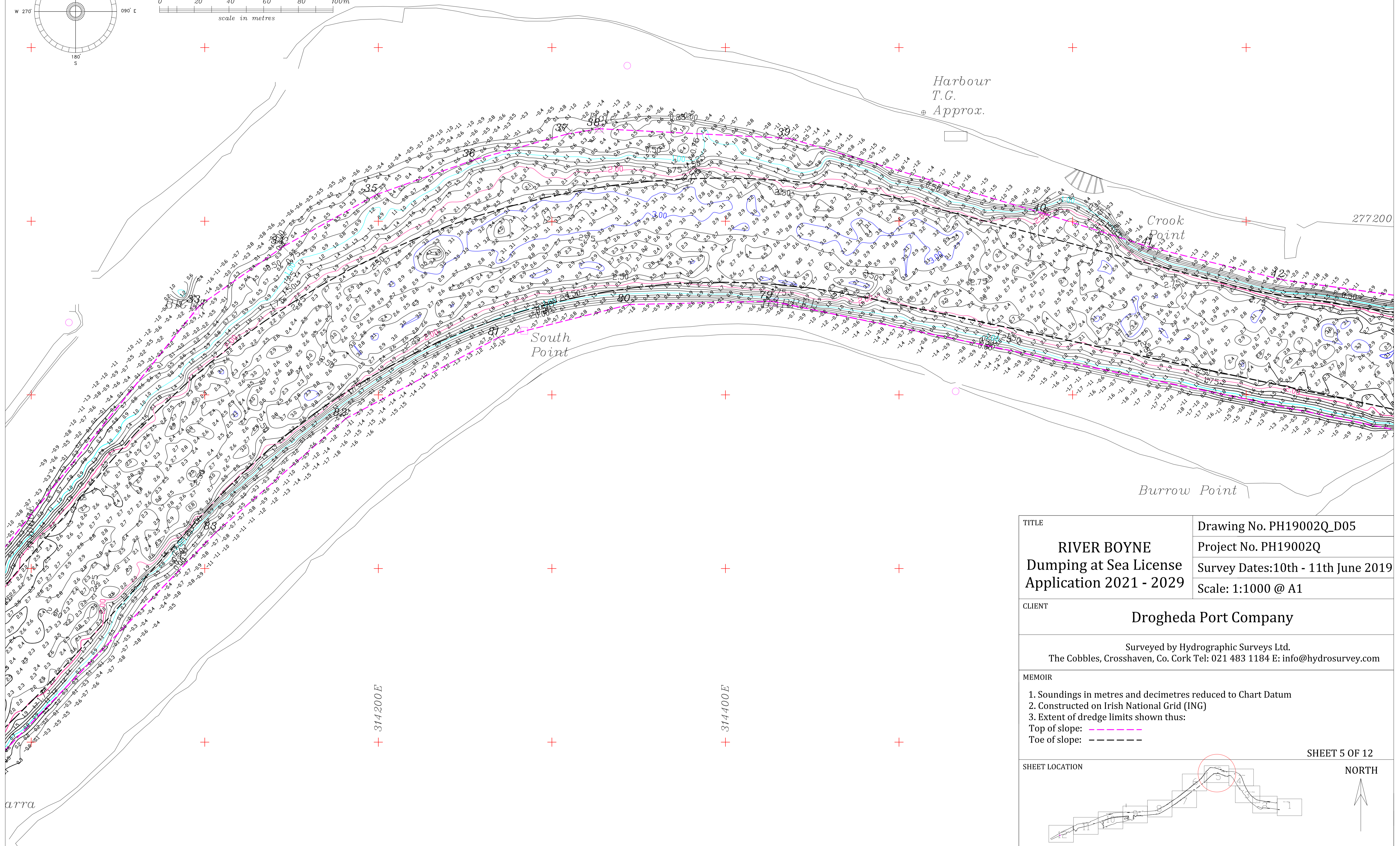


Drawn by	HP
Checked by	BJB
Approved by	BJB

Drawn by	HP
Checked by	BJB
Approved by	BJB



# Navigation Channel maintained to -2.2CD



Harbour  
T.G.  
Approx.

Crook  
Point

South  
Point

Burrow  
Point

314200E

314400E

arra

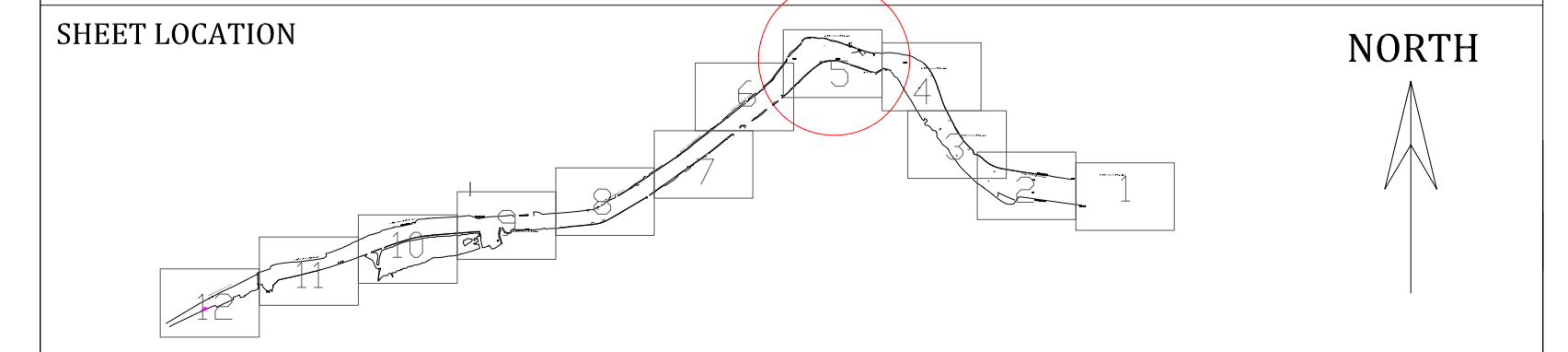
<b>TITLE</b>  <b>RIVER BOYNE</b> <b>Dumping at Sea License</b> <b>Application 2021 - 2029</b>	Drawing No. PH19002Q_D05
	Project No. PH19002Q
	Survey Dates: 10th - 11th June 2019
Scale: 1:1000 @ A1	

**CLIENT**  
**Drogheda Port Company**

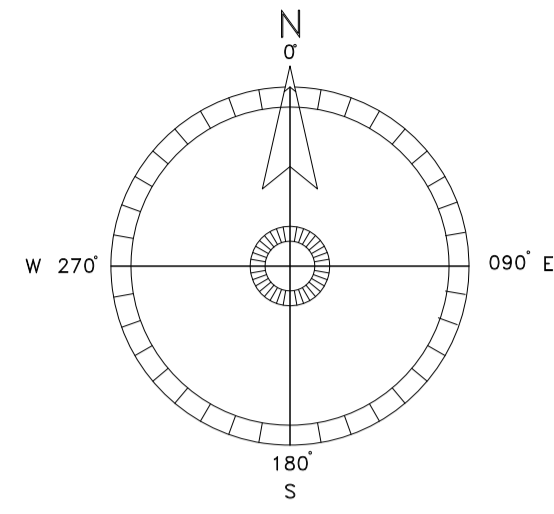
Surveyed by Hydrographic Surveys Ltd.  
The Cobbles, Crosshaven, Co. Cork Tel: 021 483 1184 E: info@hydrosurvey.com

**MEMOIR**

1. Soundings in metres and decimetres reduced to Chart Datum
2. Constructed on Irish National Grid (ING)
3. Extent of dredge limits shown thus:  
 Top of slope: - - - - -  
 Toe of slope: - - - - -



Drawn by	HP
Checked by	BJB
Approved by	BJB



277000N

276800N

276600N

313600E

313800E

Navigation Channel maintained to -2.2CD

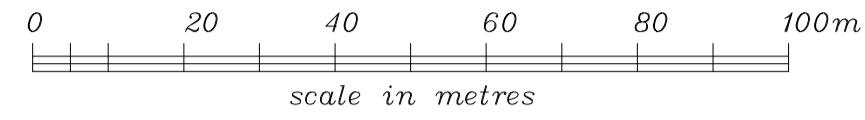
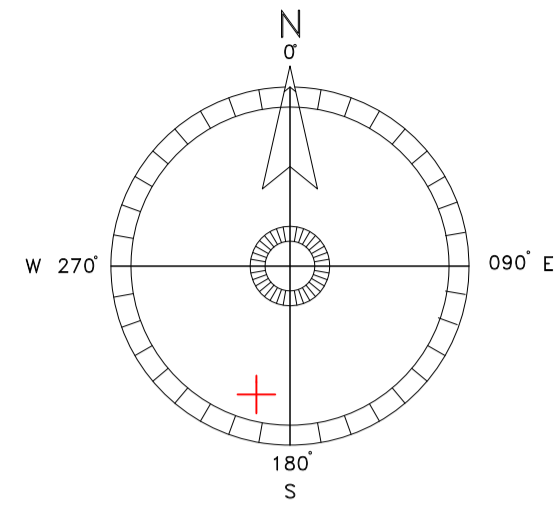
Banktown North

Banktown South

Scarra

<b>TITLE</b>  <b>RIVER BOYNE</b> <b>Dumping at Sea License</b> <b>Application 2021 - 2029</b>	Drawing No. PH19002Q_D06
	Project No. PH19002Q
	Survey Dates: 10th - 11th June 2019
Scale: 1:1000 @ A1	
<b>CLIENT</b>	<b>Drogheda Port Company</b>
Surveyed by Hydrographic Surveys Ltd. The Cobbles, Crosshaven, Co. Cork Tel: 021 483 1184 E: info@hydrosurvey.com	
<b>MEMOIR</b> 1. Soundings in metres and decimetres reduced to Chart Datum 2. Constructed on Irish National Grid (ING) 3. Extent of dredge limits shown thus: Top of slope: - - - - - Toe of slope: - - - - -	
SHEET 6 OF 12	
<b>SHEET LOCATION</b>	
<b>NORTH</b> 	

Drawn by	HP
Checked by	BJB
Approved by	BJB



Navigation Channel maintained to -2.2CD

Boyne Boat  
20m radius  
exclusion  
zone

Queens  
Boro

Mornington  
Pier

276400N

276200N

313200E

313400E

TITLE	Drawing No. PH19002Q_D07
	Project No. PH19002Q
RIVER BOYNE Dumping at Sea License Application 2021 - 2029	Survey Dates: 10th - 11th June 2019
	Scale: 1:1000 @ A1

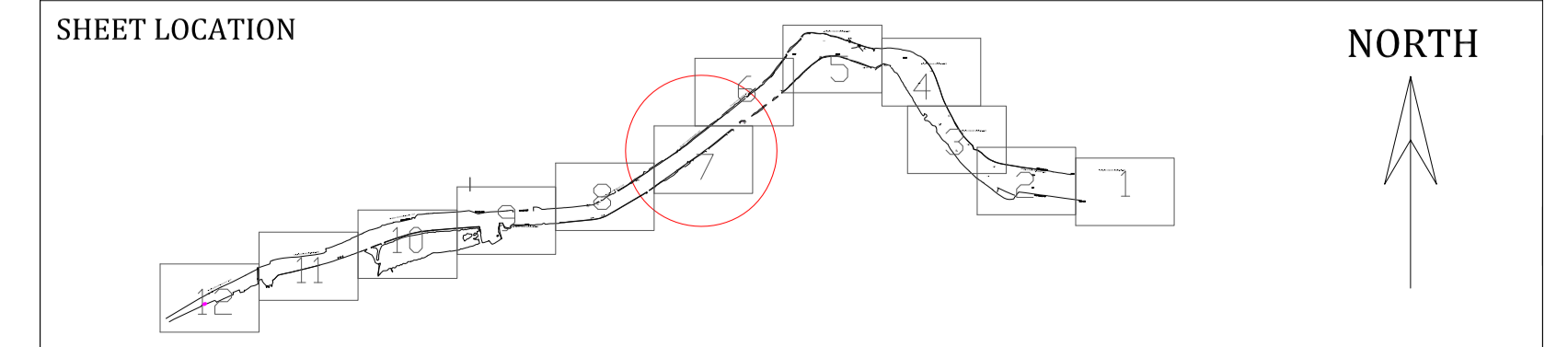
CLIENT  
**Drogheda Port Company**

Surveyed by Hydrographic Surveys Ltd.  
The Cobbles, Crosshaven, Co. Cork Tel: 021 483 1184 E: info@hydrosurvey.com

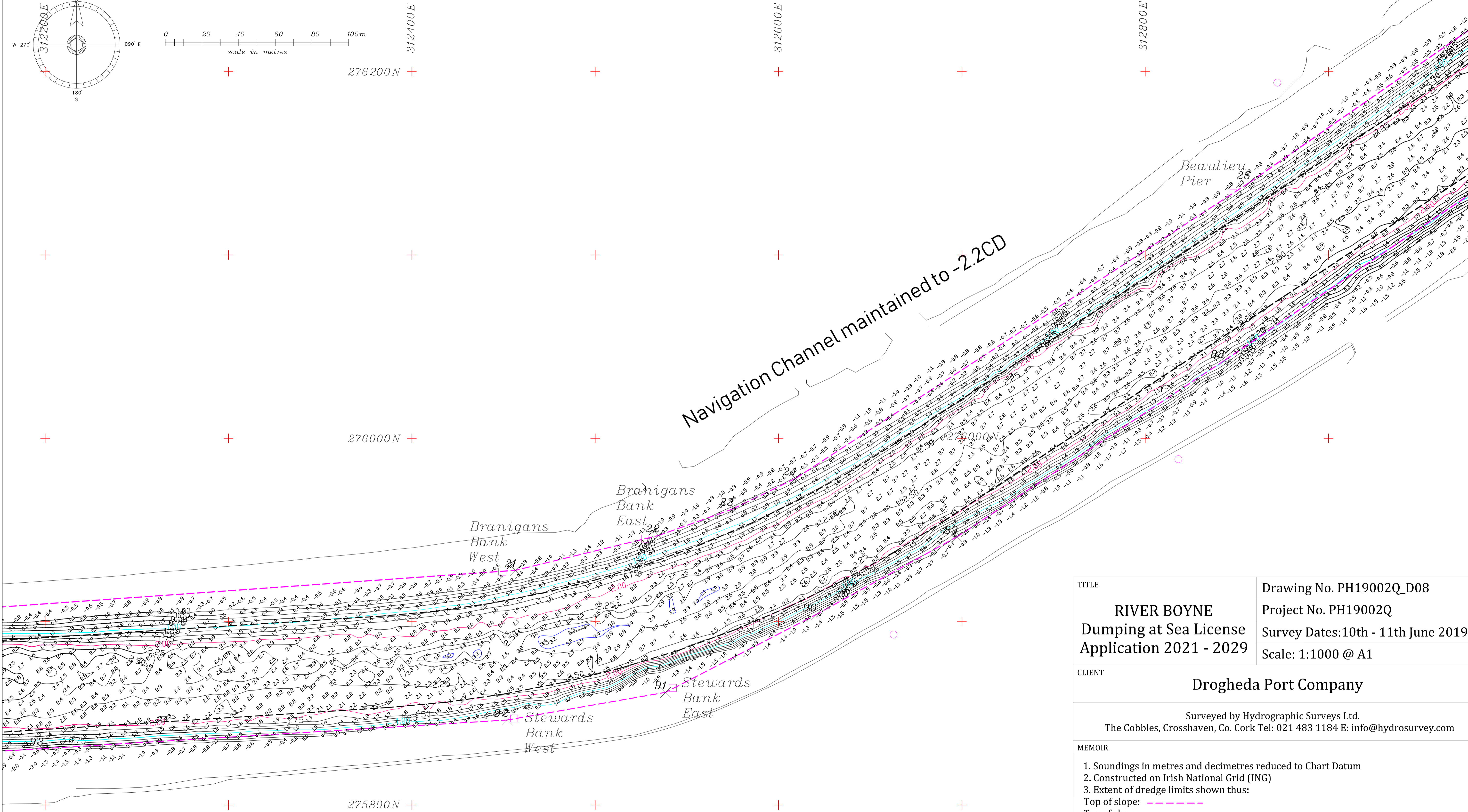
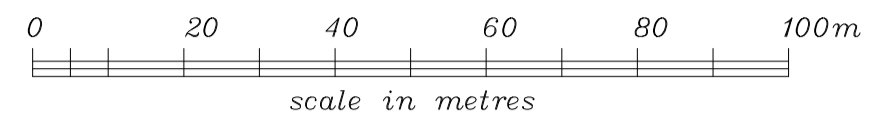
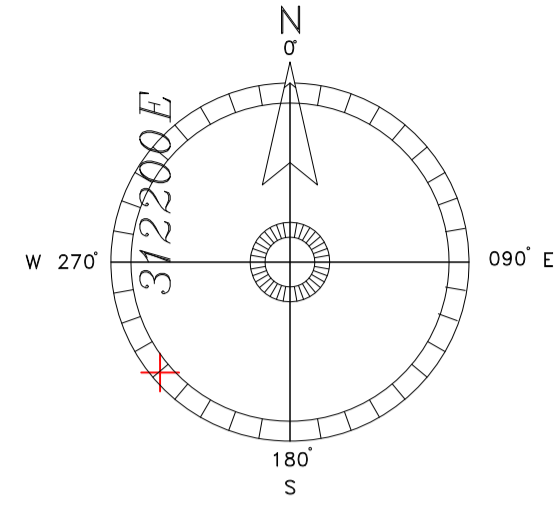
MEMOIR

1. Soundings in metres and decimetres reduced to Chart Datum
2. Constructed on Irish National Grid (ING)
3. Extent of dredge limits shown thus:  
Top of slope: - - - - -  
Toe of slope: - - - - -

SHEET 7 OF 12



Drawn by	HP
Checked by	BJB
Approved by	BJB



Navigation Channel maintained to -2.2CD

Branigans Bank West  
Branigans Bank East

Stewards Bank West  
Stewards Bank East

Beaulieu Pier

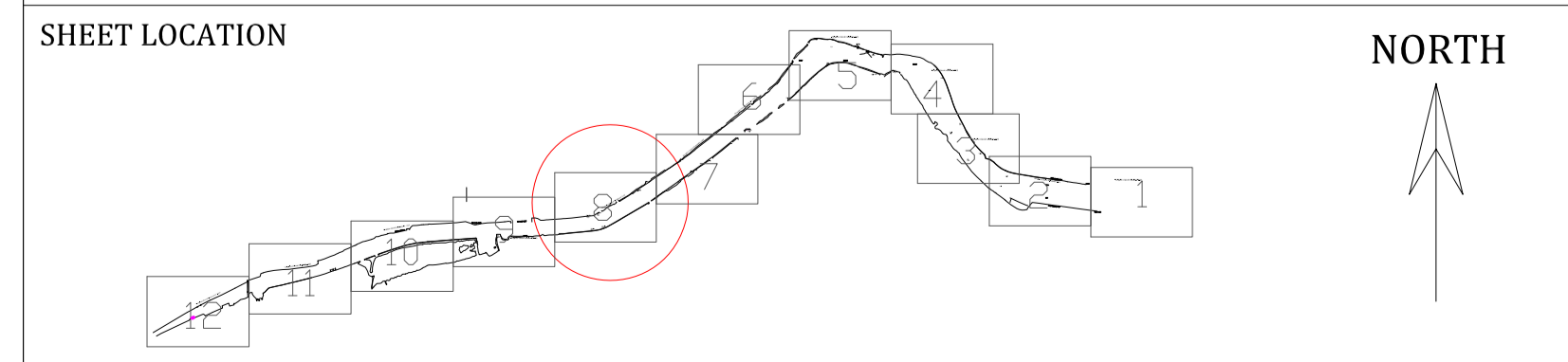
TITLE	Drawing No. PH19002Q_D08
	Project No. PH19002Q
RIVER BOYNE Dumping at Sea License Application 2021 - 2029	Survey Dates: 10th - 11th June 2019
	Scale: 1:1000 @ A1

CLIENT  
**Drogheda Port Company**

Surveyed by Hydrographic Surveys Ltd.  
The Cobbles, Crosshaven, Co. Cork Tel: 021 483 1184 E: info@hydrosurvey.com

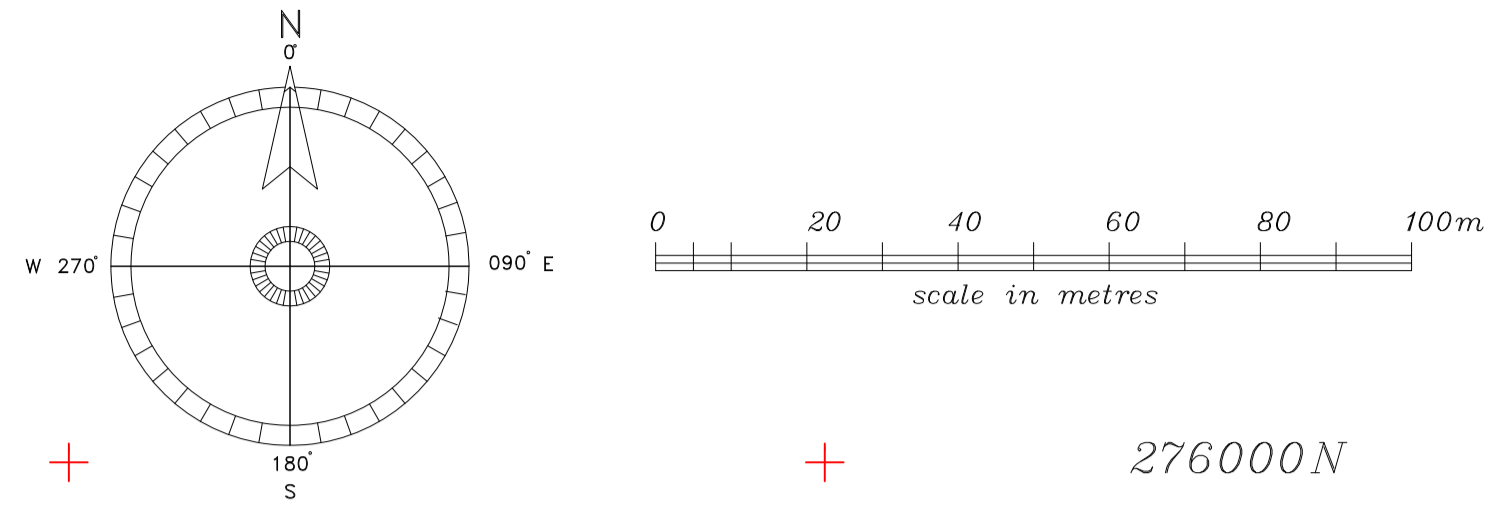
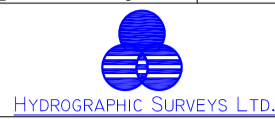
MEMOIR

1. Soundings in metres and decimetres reduced to Chart Datum
2. Constructed on Irish National Grid (ING)
3. Extent of dredge limits shown thus:  
Top of slope: - - - - -  
Toe of slope: - - - - -

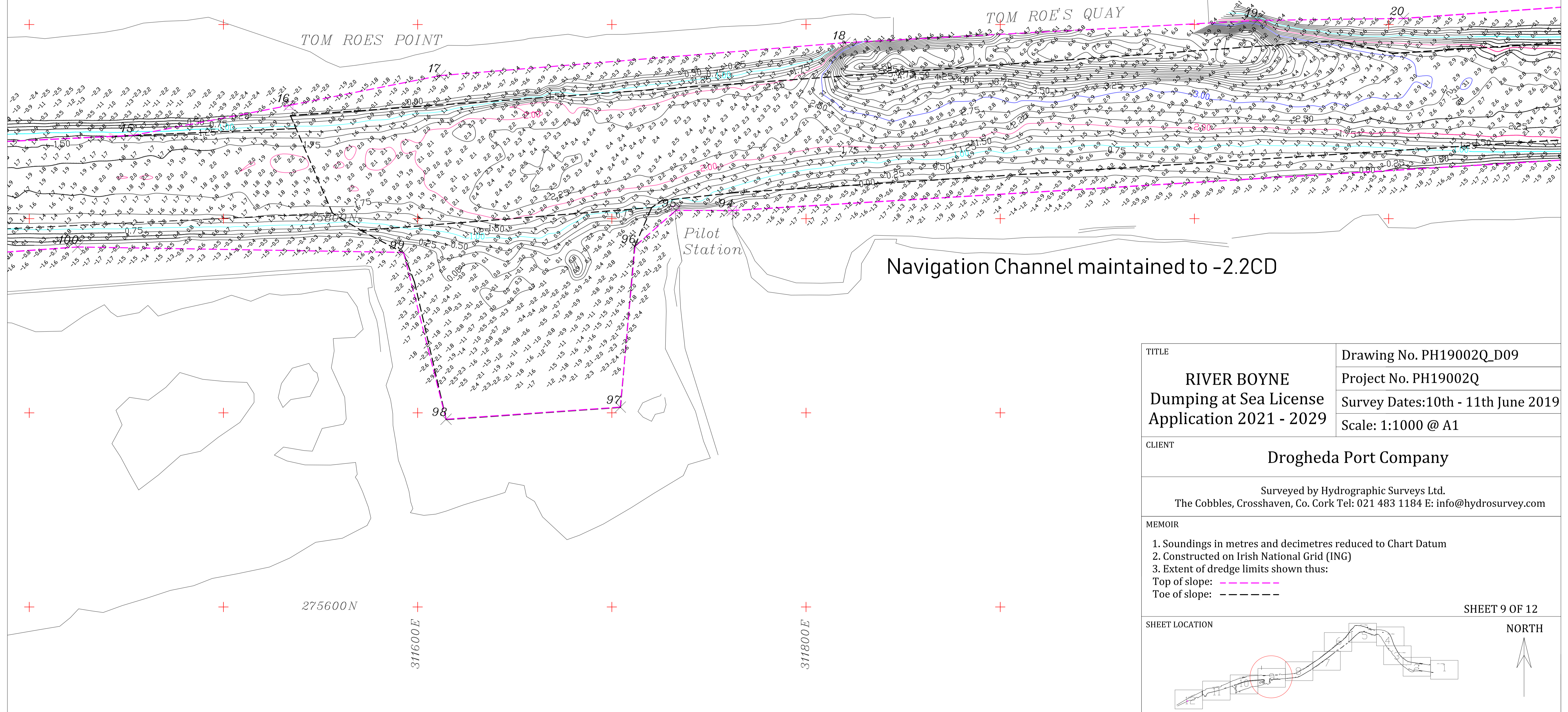




Drawn by	HP
Checked by	BJB
Approved by	BJB



Artificial dredge pocket at Tom Roes Quay  
Quay maintained to -5.5CD

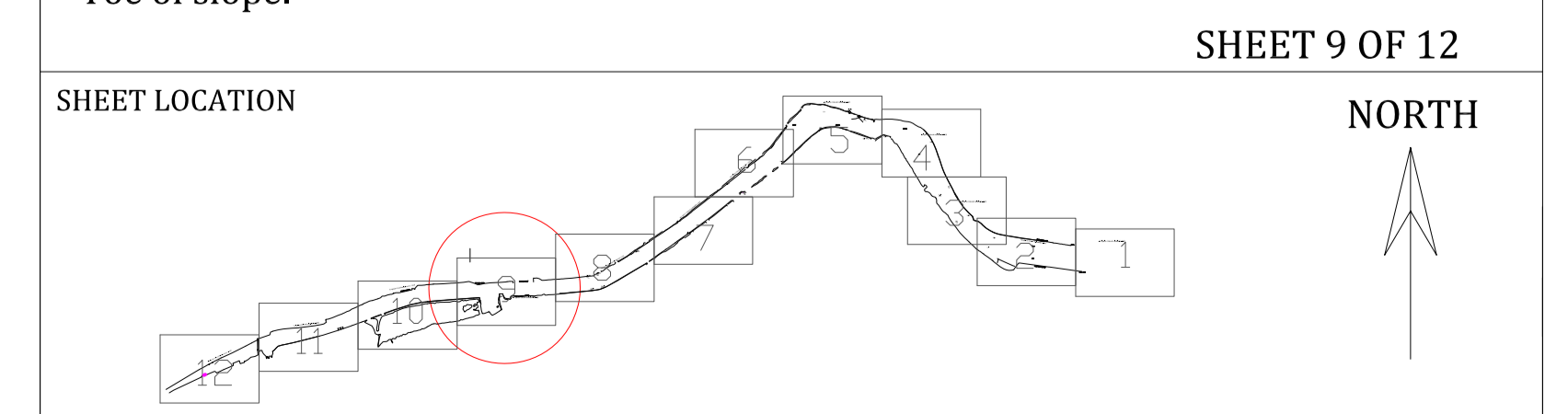


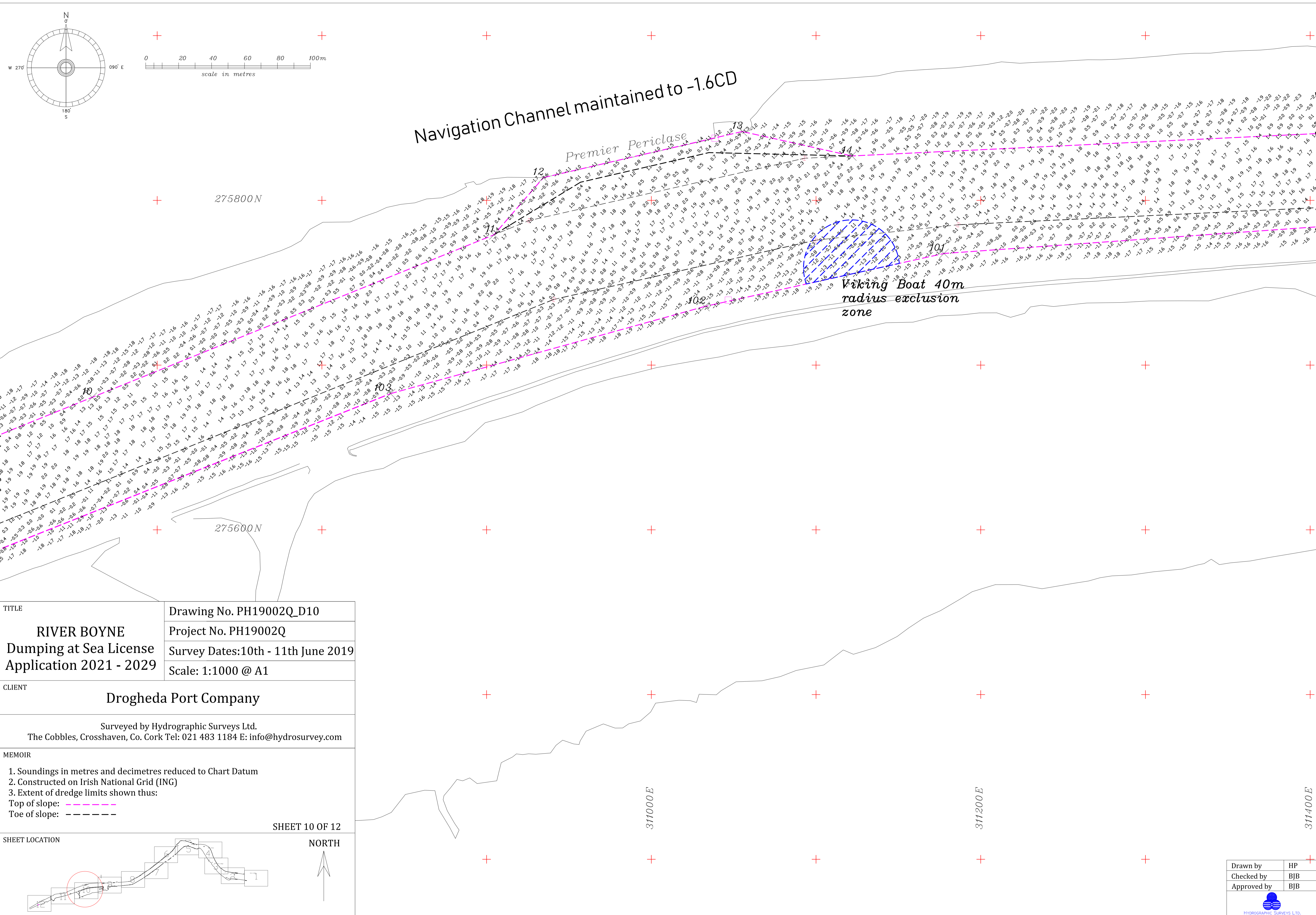
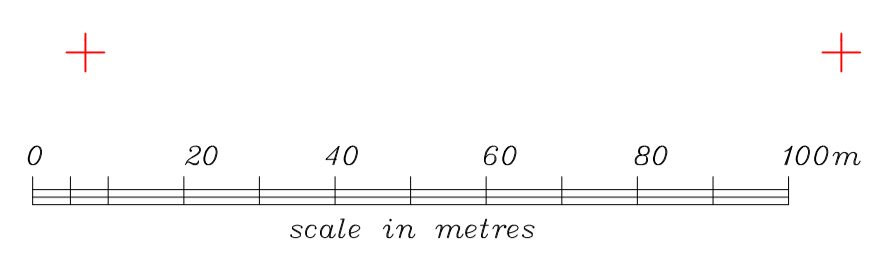
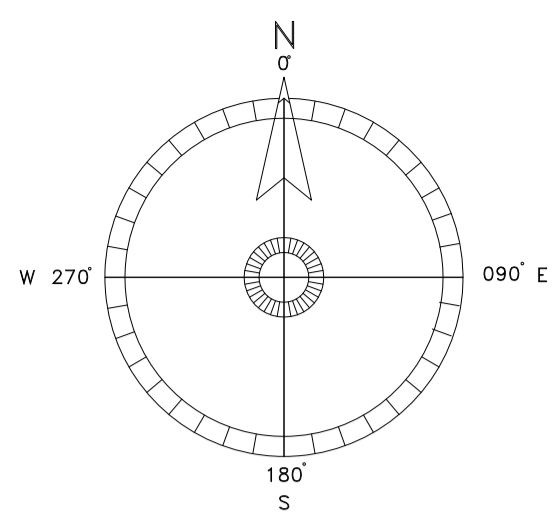
TITLE	Drawing No. PH19002Q_D09
	Project No. PH19002Q
	Survey Dates: 10th - 11th June 2019
RIVER BOYNE Dumping at Sea License Application 2021 - 2029	
Scale: 1:1000 @ A1	

CLIENT  
**Drogheda Port Company**

Surveyed by Hydrographic Surveys Ltd.  
The Cobbles, Crosshaven, Co. Cork Tel: 021 483 1184 E: info@hydrosurvey.com

- MEMOIR
1. Soundings in metres and decimetres reduced to Chart Datum
  2. Constructed on Irish National Grid (ING)
  3. Extent of dredge limits shown thus:  
Top of slope: - - - - -  
Toe of slope: - - - - -



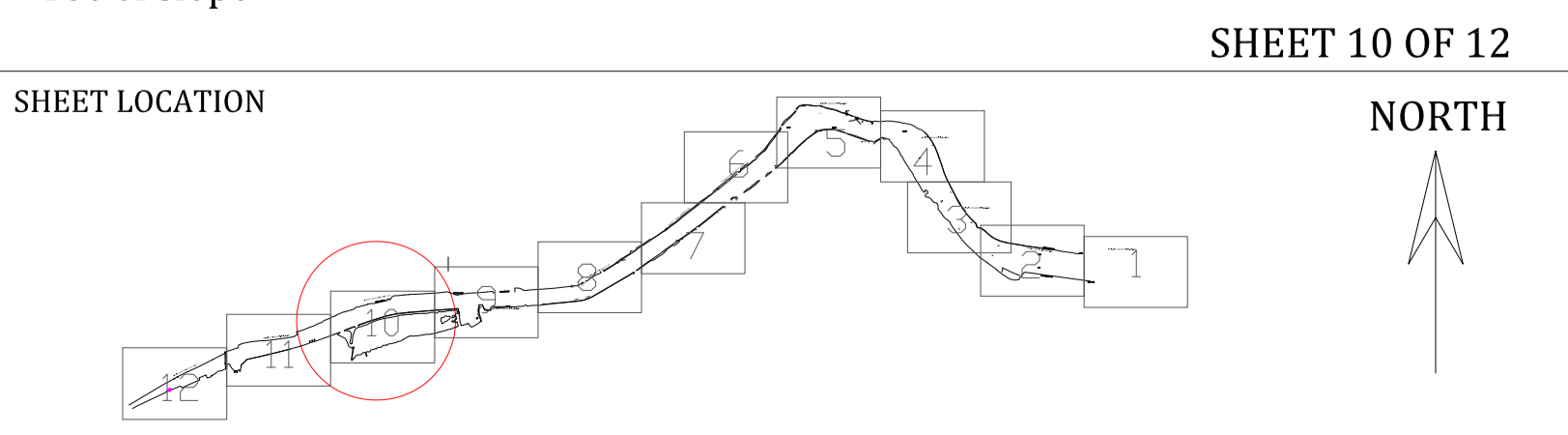


TITLE	Drawing No. PH19002Q_D10
RIVER BOYNE Dumping at Sea License Application 2021 - 2029	Project No. PH19002Q
	Survey Dates: 10th - 11th June 2019
	Scale: 1:1000 @ A1

CLIENT  
**Drogheda Port Company**

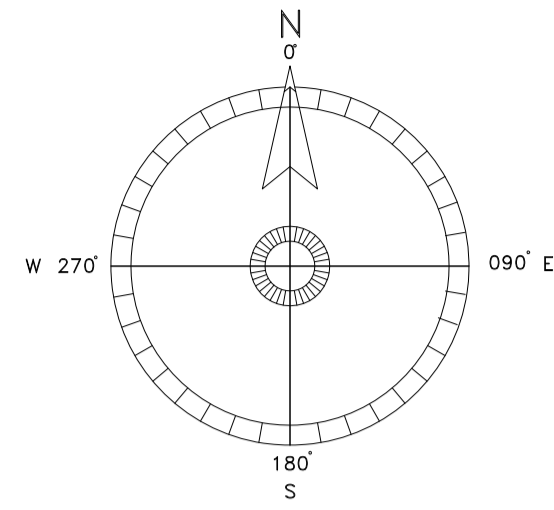
Surveyed by Hydrographic Surveys Ltd.  
The Cobbles, Crosshaven, Co. Cork Tel: 021 483 1184 E: info@hydrosurvey.com

- MEMOIR
1. Soundings in metres and decimetres reduced to Chart Datum
  2. Constructed on Irish National Grid (ING)
  3. Extent of dredge limits shown thus:  
 Top of slope: - - - - -  
 Toe of slope: - - - - -



Drawn by	HP
Checked by	BJB
Approved by	BJB

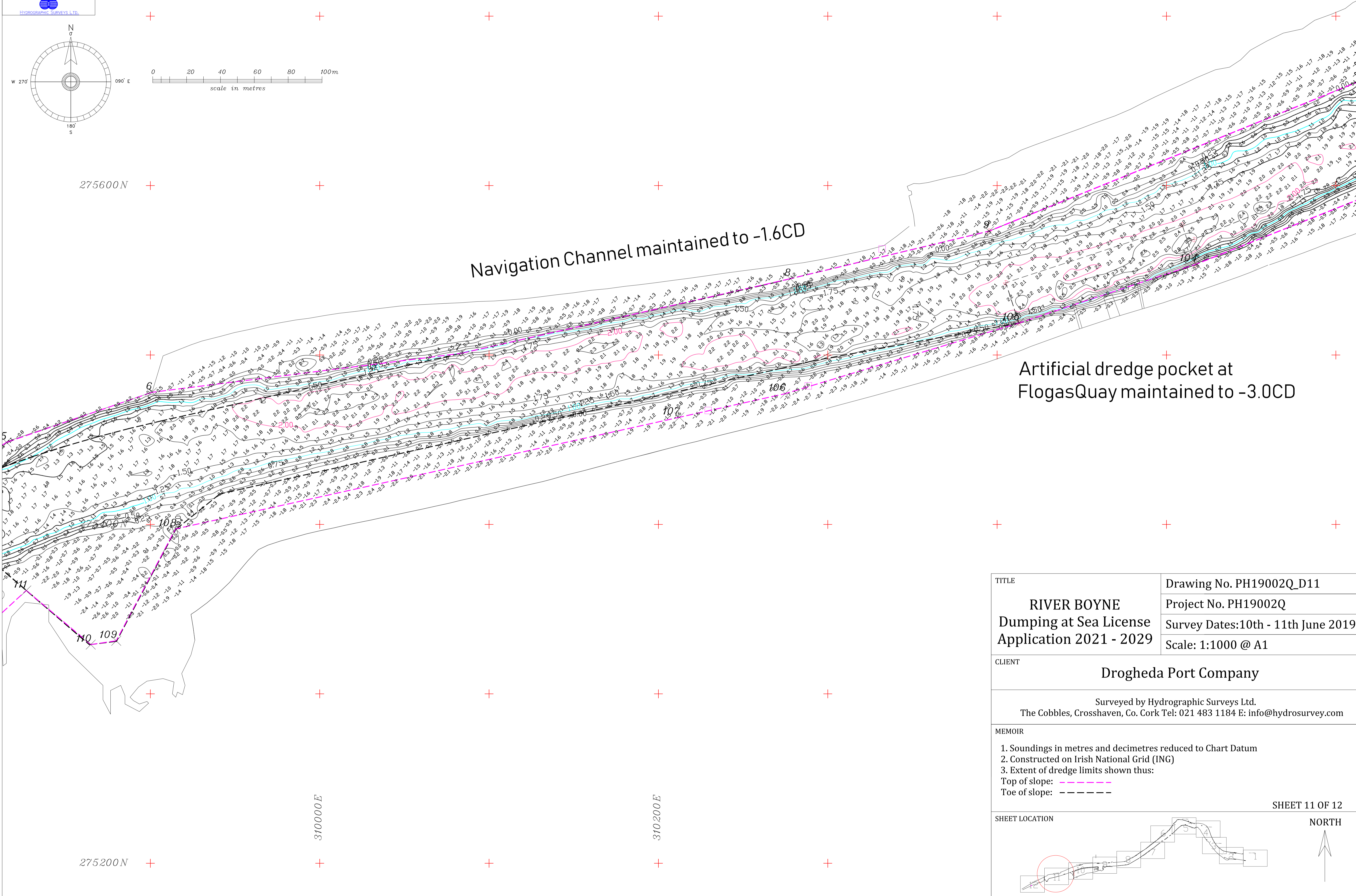
Drawn by	HP
Checked by	BJB
Approved by	BJB



275600N

Navigation Channel maintained to -1.6CD

Artificial dredge pocket at FlogasQuay maintained to -3.0CD



275200N

310000E

310200E

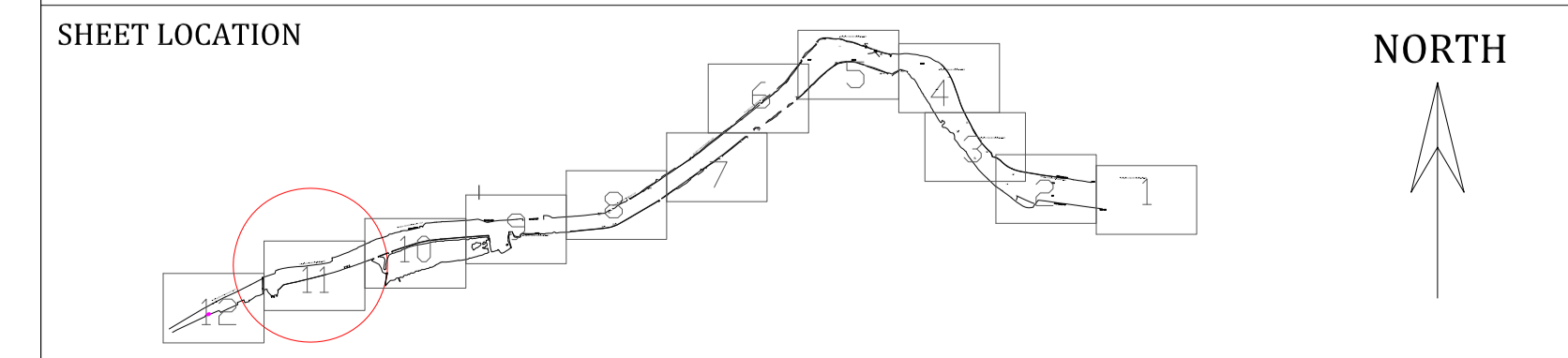
TITLE	Drawing No. PH19002Q_D11
RIVER BOYNE Dumping at Sea License Application 2021 - 2029	Project No. PH19002Q
	Survey Dates: 10th - 11th June 2019
	Scale: 1:1000 @ A1

CLIENT  
**Drogheda Port Company**

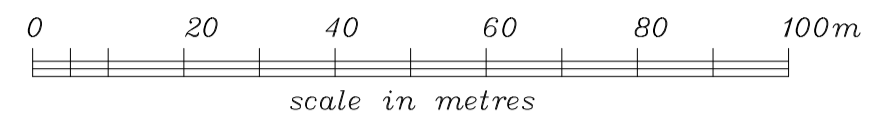
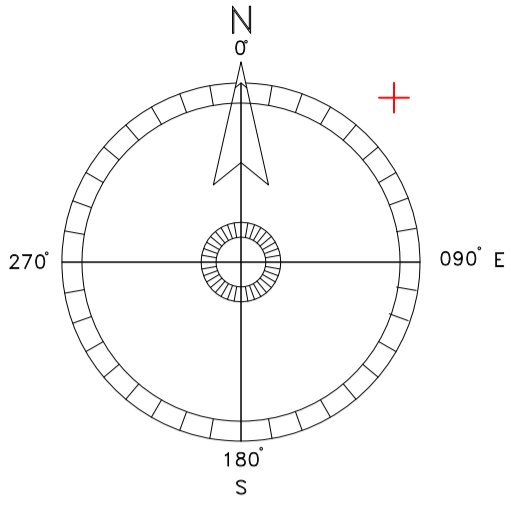
Surveyed by Hydrographic Surveys Ltd.  
The Cobbles, Crosshaven, Co. Cork Tel: 021 483 1184 E: info@hydrosurvey.com

MEMOIR  
1. Soundings in metres and decimetres reduced to Chart Datum  
2. Constructed on Irish National Grid (ING)  
3. Extent of dredge limits shown thus:  
Top of slope: - - - - -  
Toe of slope: - - - - -

SHEET 11 OF 12

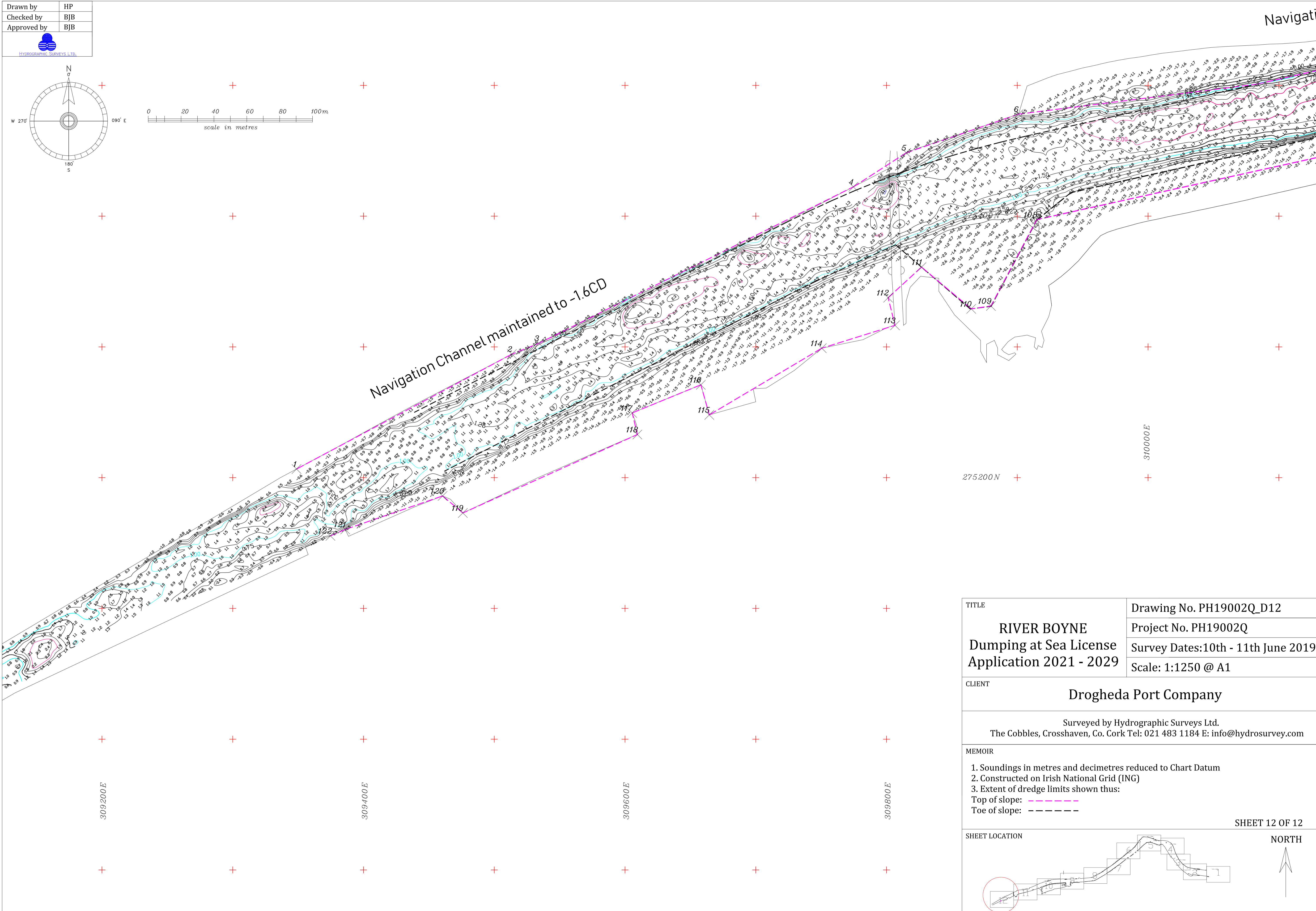


Drawn by	HP
Checked by	BJB
Approved by	BJB



Navigation

Navigation Channel maintained to -1.6CD



TITLE	Drawing No. PH19002Q_D12
	Project No. PH19002Q
	Survey Dates: 10th - 11th June 2019
Scale: 1:1250 @ A1	

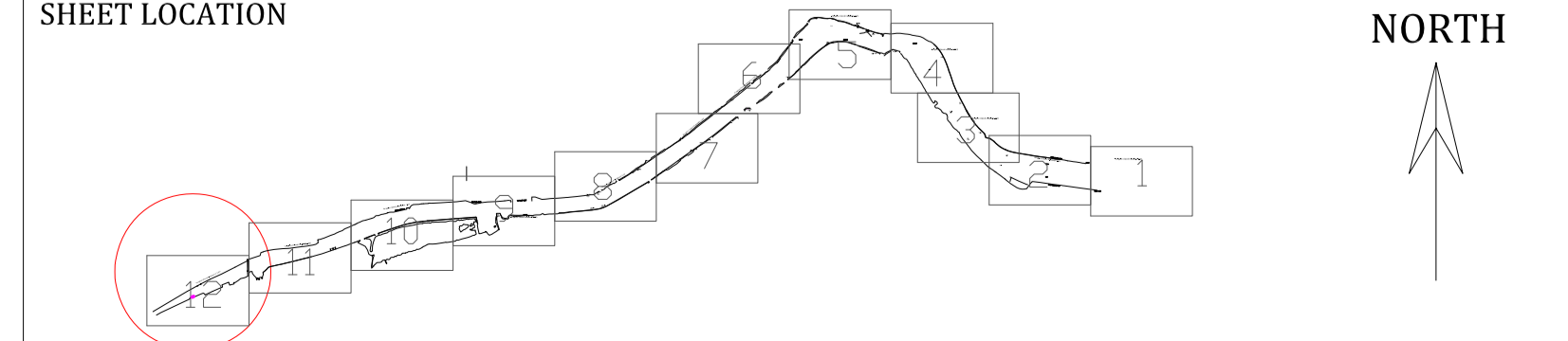
CLIENT  
**Drogheda Port Company**

Surveyed by Hydrographic Surveys Ltd.  
The Cobbles, Crosshaven, Co. Cork Tel: 021 483 1184 E: info@hydrosurvey.com

MEMOIR

1. Soundings in metres and decimetres reduced to Chart Datum
2. Constructed on Irish National Grid (ING)
3. Extent of dredge limits shown thus:  
Top of slope: - - - - -  
Toe of slope: - - - - -

SHEET 12 OF 12



309200E

309400E

309600E

309800E

275200N

310000E