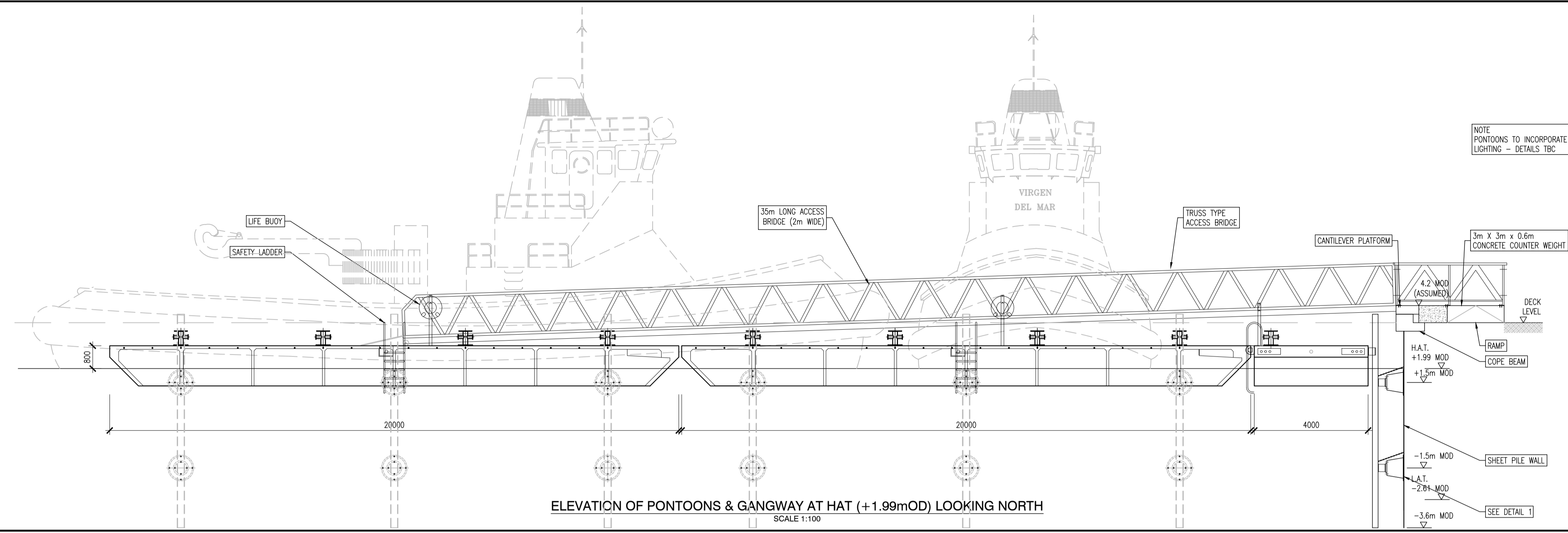
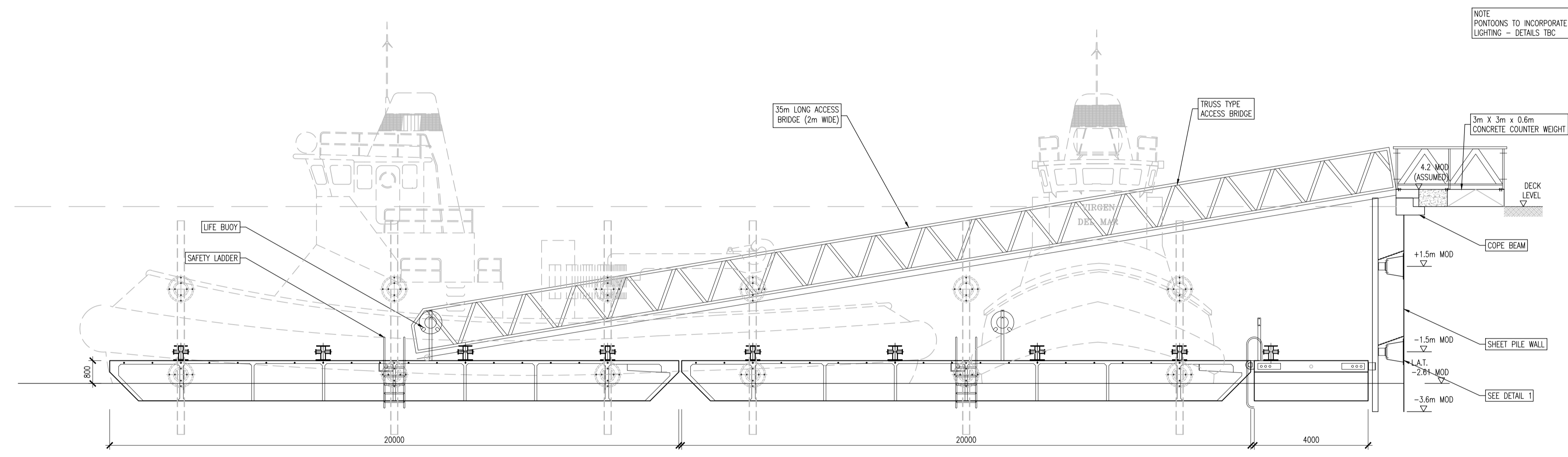


- GENERAL NOTES:
1. ALL WORKS SHALL BE CONSTRUCTED IN ACCORDANCE WITH THE WORKS REQUIREMENTS.
 2. ALL DIMENSIONS IN METRES UNLESS SPECIFIED OTHERWISE.
 3. ALL CO-ORDINATES ARE TO IRISH TRANSVERSE MERCATOR.
 4. ALL LEVELS ARE TO ORDNANCE DATUM (MAIN HEAD).
 5. ALL TEMPORARY TRAFFIC & OPERATIONS MANAGEMENT SHALL COMPLY FULLY WITH THE WORKS REQUIREMENTS.
 6. THE CONTRACTOR MUST LAISE DIRECTLY WITH DUBLIN PORT COMPANY DEPARTMENTS AS DIRECTED IN THE WORKS REQUIREMENTS.
 7. ALL VEHICULAR & OPERATIONAL ROUTES WITHIN AND SURROUNDING THE WORKS EXTENTS MUST BE MAINTAINED THROUGHOUT THE WORKS IN ACCORDANCE WITH THE CONTRACTORS APPROVED TEMPORARY TRAFFIC & OPERATIONS MANAGEMENT PLAN.
 8. CONTRACTOR SHALL EMPLOY THE SERVICES OF AN APPROVED SURVEY COMPANY TO ESTABLISH THE GRID IDENTIFIED.
 9. ALL AGGREGATES PROPOSED FOR USE ON THIS SCHEME SHALL MEET FULLY THE REQUIREMENTS OF THE CONTRACT SPECIFICATION AND IN ADDITION THE REQUIREMENTS STATED IN STANDARD RECOMMENDATION S.R. 21/2014 GUIDANCE ON THE USE OF I.S. EN 12424:2002 +A1:2007 - AGGREGATES FOR UNBOUND AND HYDRAULICALLY BOUND MATERIALS FOR USE IN CIVIL ENGINEERING WORK AND ROAD CONSTRUCTION. FURTHER DETAIL IS PROVIDED IN ADDITIONAL CLAUSE 1444R OF THE CONTRACT SPECIFICATION.



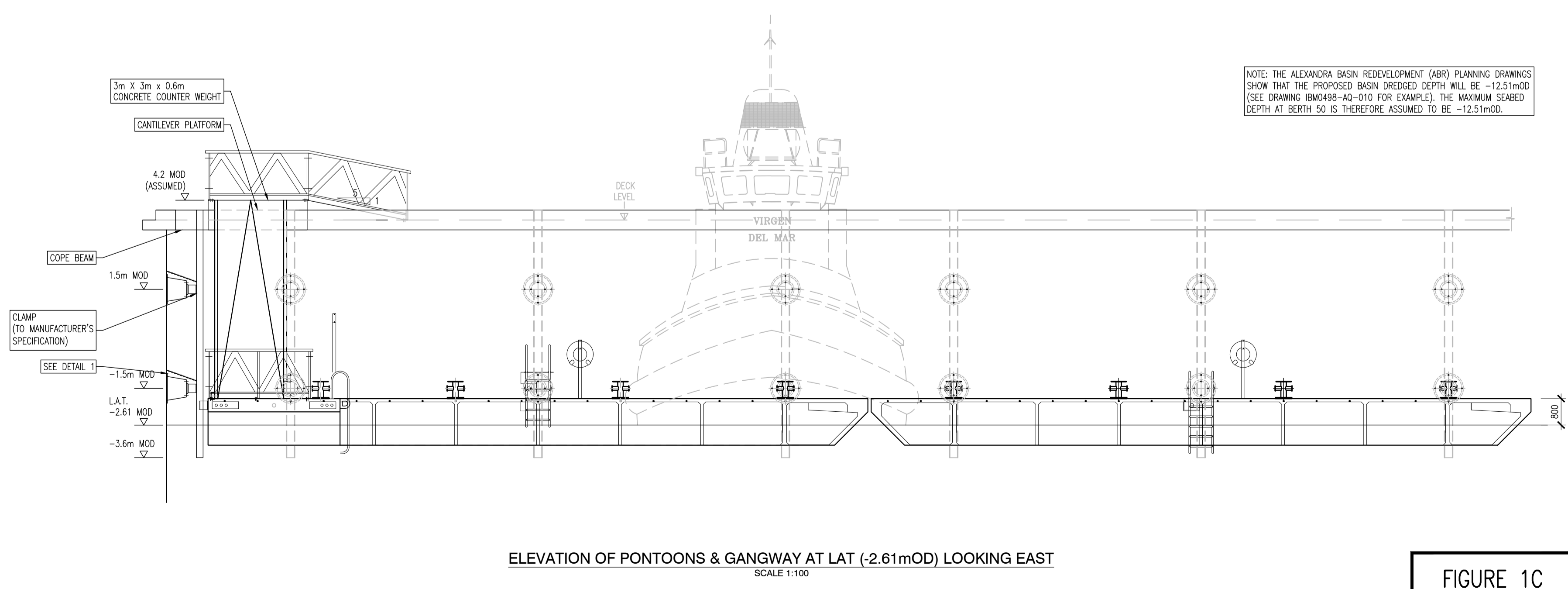
ELEVATION OF PONTOONS & GANGWAY AT HAT (+1.99mOD) LOOKING NORTH
SCALE 1:100

FIGURE 1A



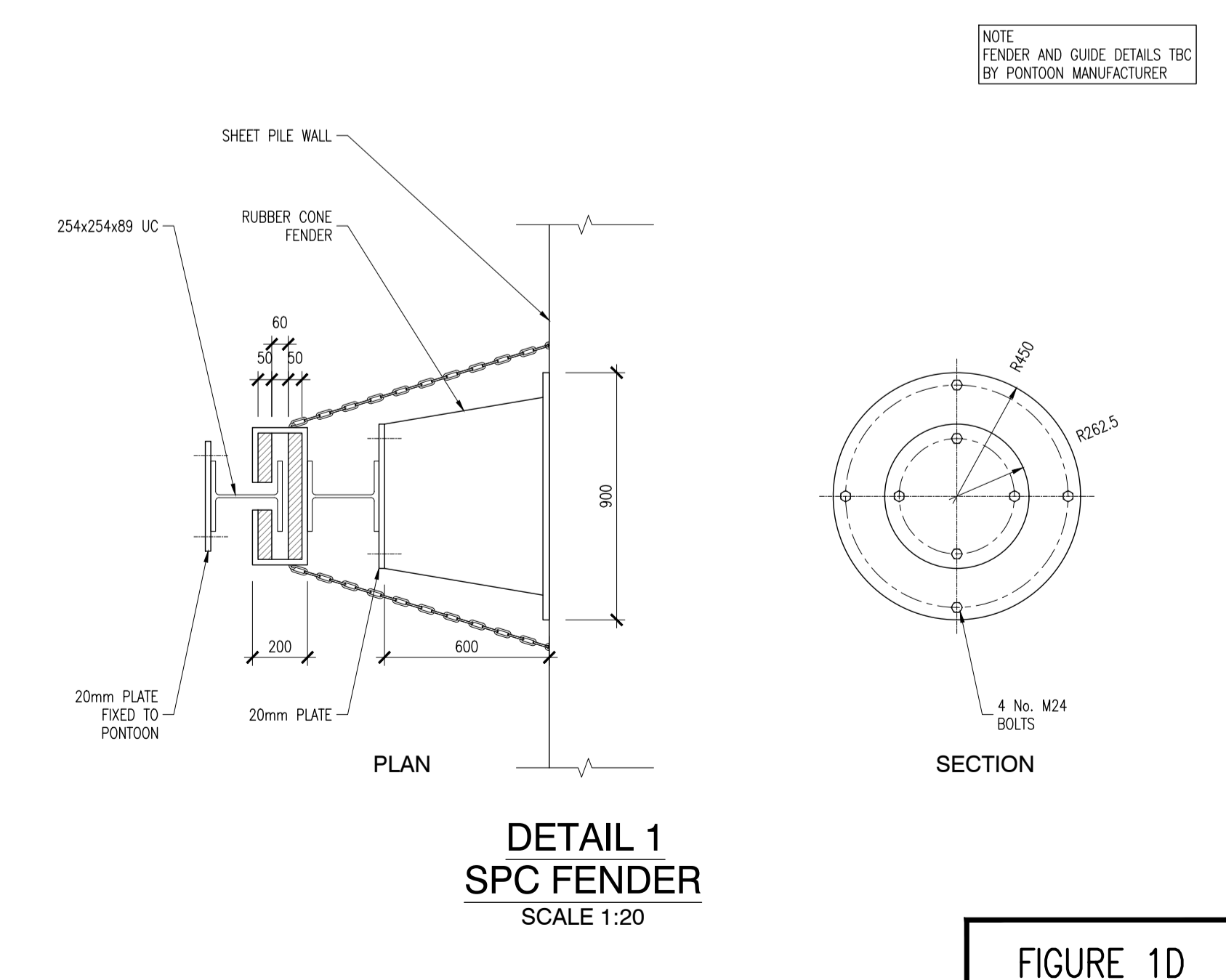
ELEVATION OF PONTOONS & GANGWAY AT LAT (-2.61mOD) LOOKING NORTH
SCALE 1:100

FIGURE 1B



ELEVATION OF PONTOONS & GANGWAY AT LAT (-2.61mOD) LOOKING EAST
SCALE 1:100

FIGURE 1C



DETAIL 1
SPC FENDER
SCALE 1:20

FIGURE 1D

REV.	DATE	DESCRIPTION	BY	CHKD.
A	05.10.17	SPC FENDER DETAIL ADDED	GMC	DB

PLANNING			
DESIGNED	DB	PREPARED	GMC
DATE	SEPT 2017	CHECKED	WBA

Dublin Office: Ormond House, Upper Ormond Quay, Dublin 7, Ireland. PHONE +353 1 400 4000 FAX +353 1 400 4050

Waterford Office: Unit 2, The Chandlery, 1-2 O'Connell Street, Waterford, Ireland. PHONE +353 51 300 500 FAX +353 51 844 913

DBFL Consulting Engineers email: info@dbfl.ie site: www.dbfl.ie

PROJECT
**BERTH 50 TUGBOAT ACCESS
EGRESS**

DRG. TITLE
**TYPICAL CONSTRUCTION
DETAILS SHEET 1**

CLIENT
**DUBLIN PORT COMPANY - PMO
OFFICE**

SCALE	1:100 @A1	FILE REF.	170157-2410
DRG. NO.	170157-4100-1		A