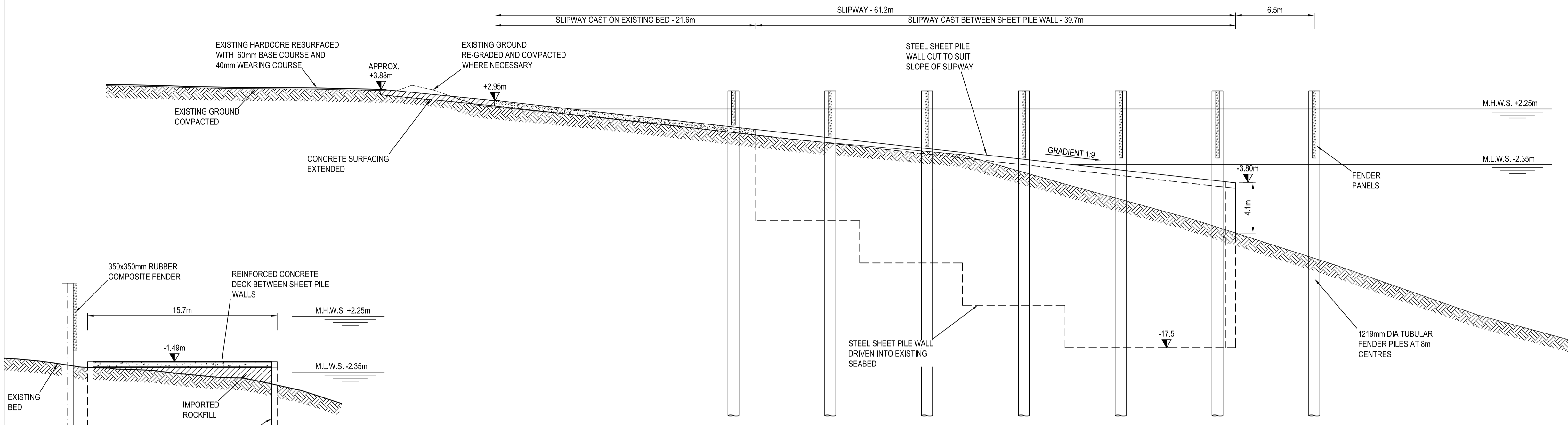
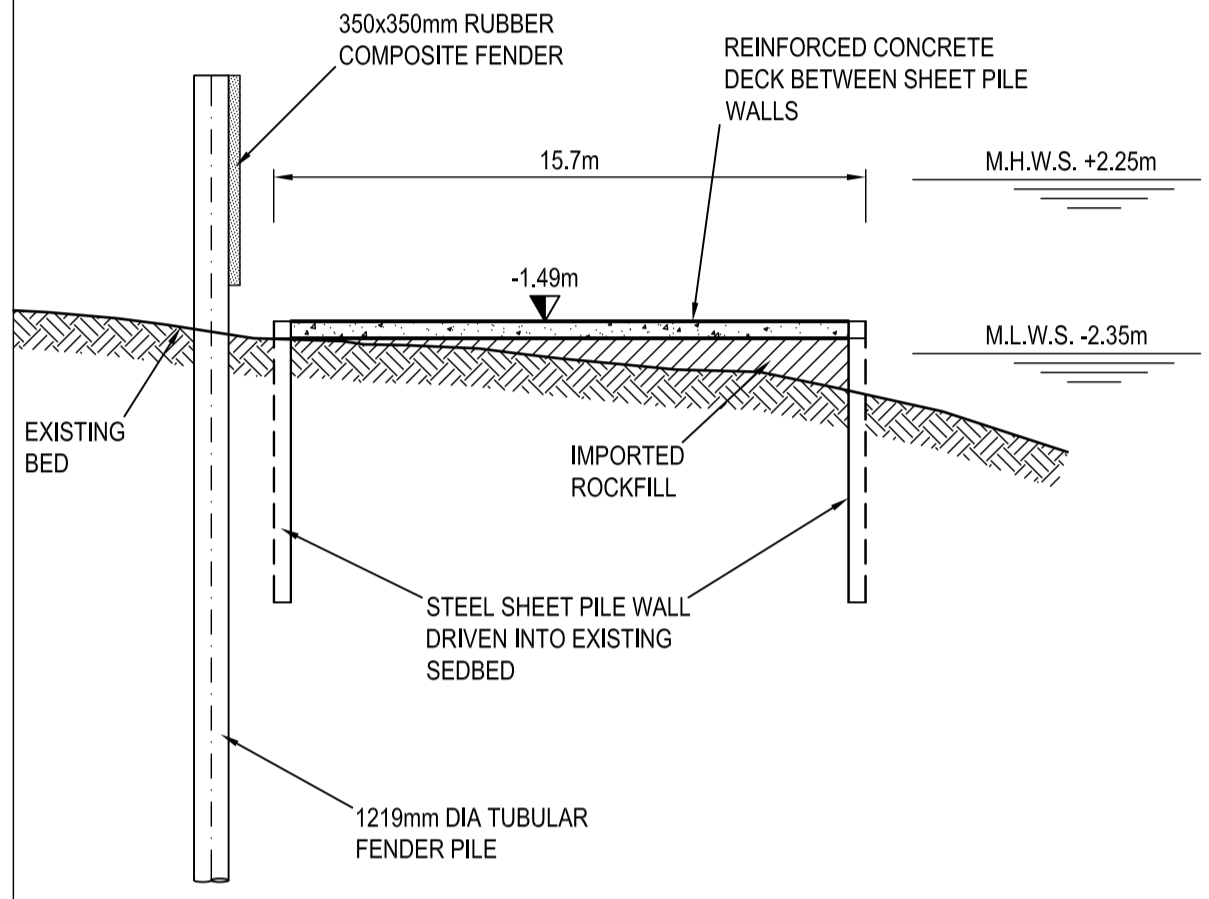


NOTES

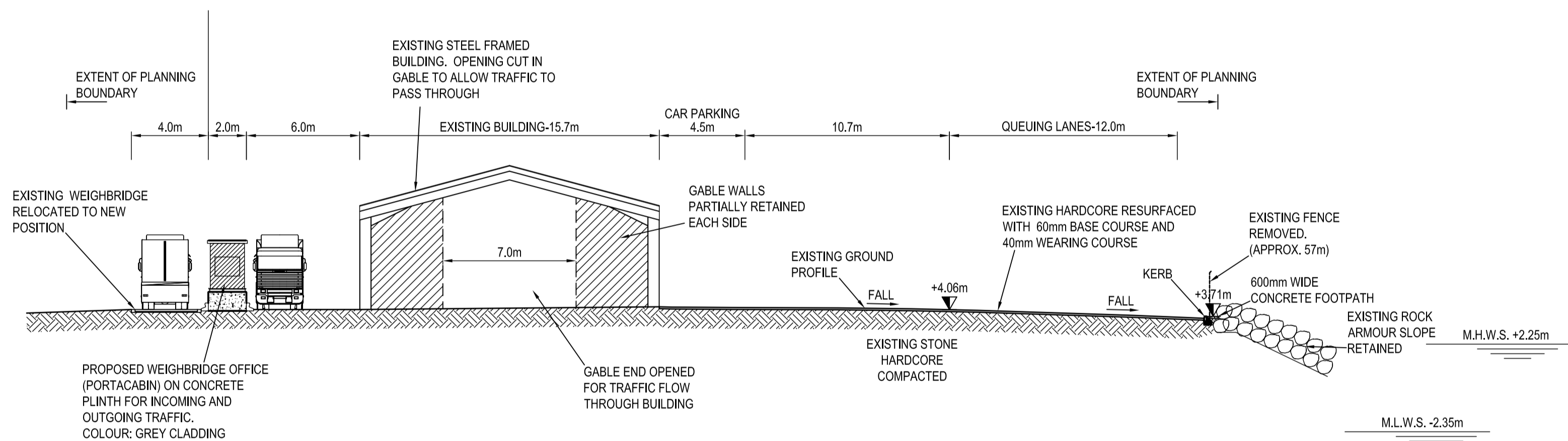
1. Verifying Dimensions.
The contractor shall verify dimensions against such other drawings or site conditions as pertain to this part of the work.
2. Existing Services.
Any information concerning the location of existing services indicated on this drawing is intended for general guidance only. It shall be the responsibility of the contractor to determine and verify the exact horizontal and vertical alignment of all cables, pipes, etc. (both underground and overhead) before work commences.
3. Issue of Drawings.
Hard copies, dwf and pdf will form a controlled issue of the drawing. All other formats (dwg, dxf etc.) are deemed to be an uncontrolled issue and any work carried out based on these files is at the recipient's own risk. RPS will not accept any responsibility for any errors arising from the use of these files, either by human error by the recipient, listing of un-dimensioned measurements, compatibility issues with the recipient's software, and any errors arising when these files are used to aid the recipient's drawing production, or setting out on site.
4. DATUM: ORDNANCE DATUM



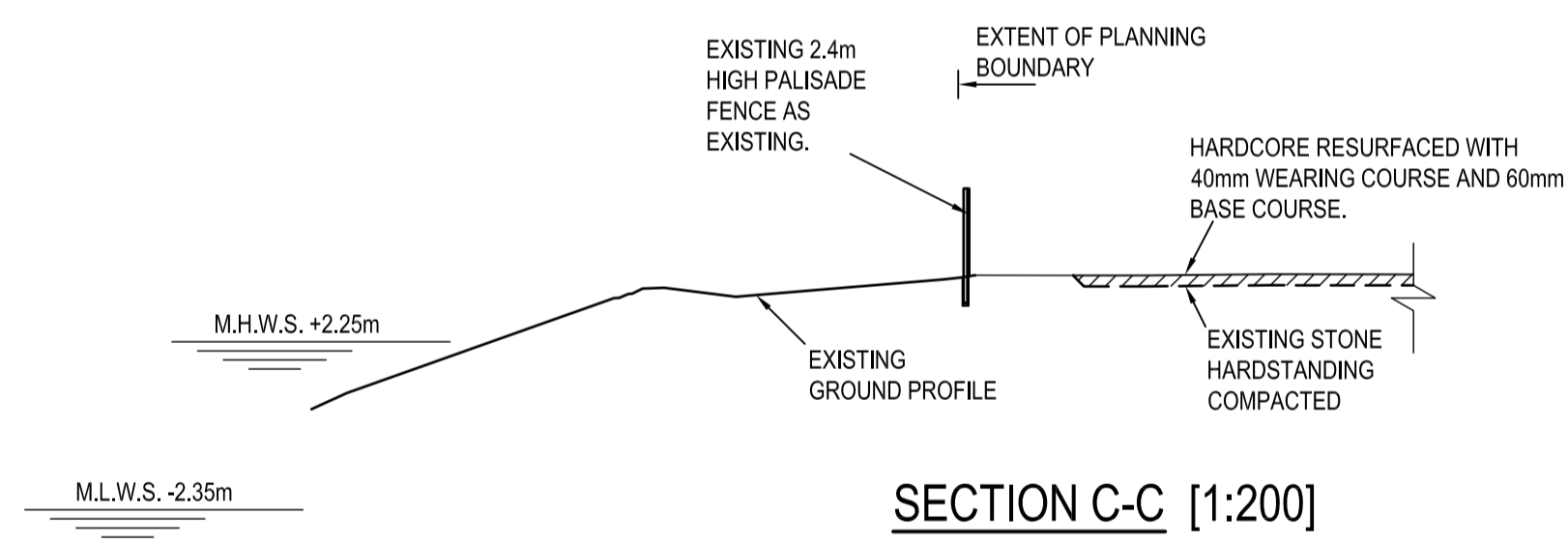
SECTION A-A [1:200]



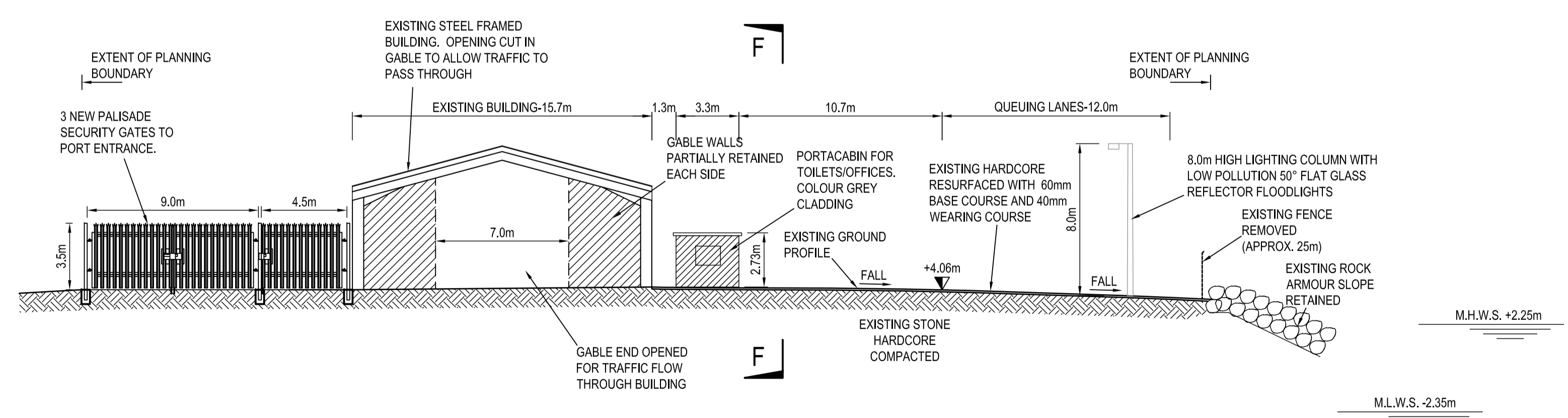
SECTION B-B [1:200]



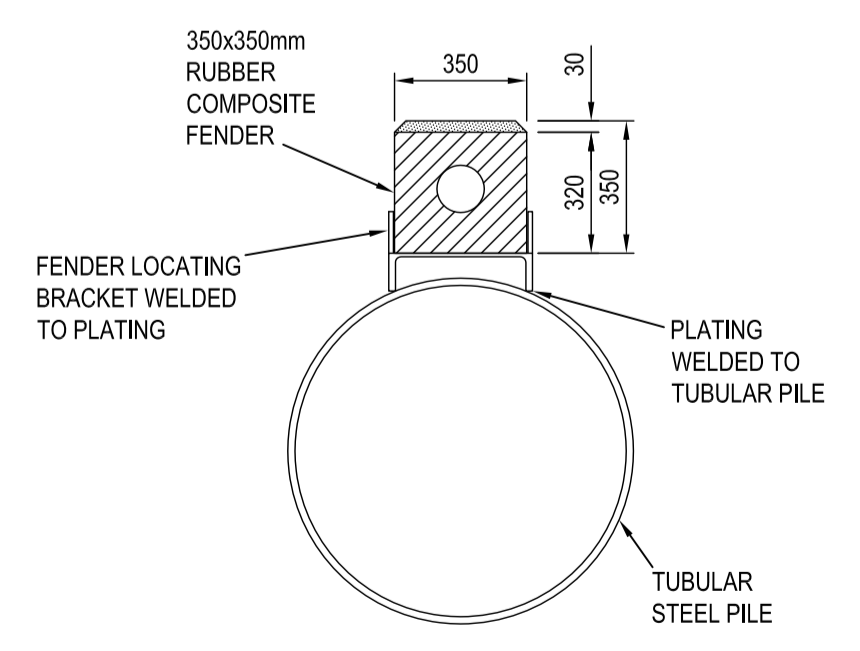
SECTION D-D [1:200]



SECTION C-C [1:200]



SECTION E-E [1:200]



TYPICAL FENDER ARRANGEMENT [1:10]



rev	amendments	drawn	date

RPS Elmwood House
74 Boucher Road
Belfast
BT12 6RZ

T +44 (0) 28 90 667914
F +44 (0) 28 90 668286
W www.rpsgroup.com/ireland
E ireland@rpsgroup.com

Client Carlingford Ferries			
Project Carlingford Ferry			
Title Proposed Sections			
Architect -			
Drawing Status Preliminary	Sheet Size A1	Drawing Scale 1:200	
Drawing Number IBM0358-111		Rev -	
Project Leader D.O'L.	Drawn By M.H.	Date -	Initial Review D.O'L.